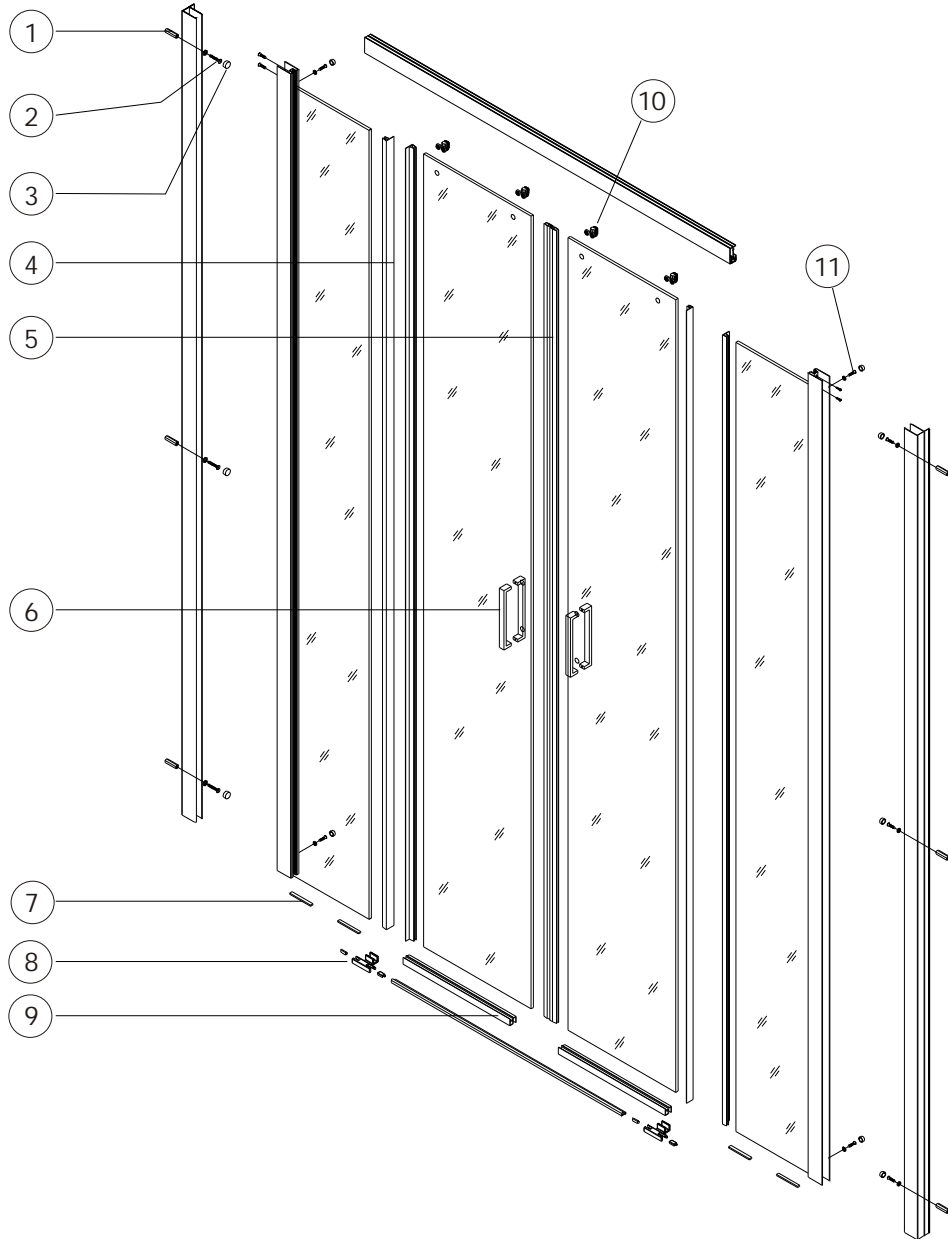


# Installation instruction

## I. Body part:



1

## II. Tools:



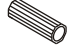



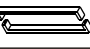


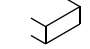



Electric drill

Pencil

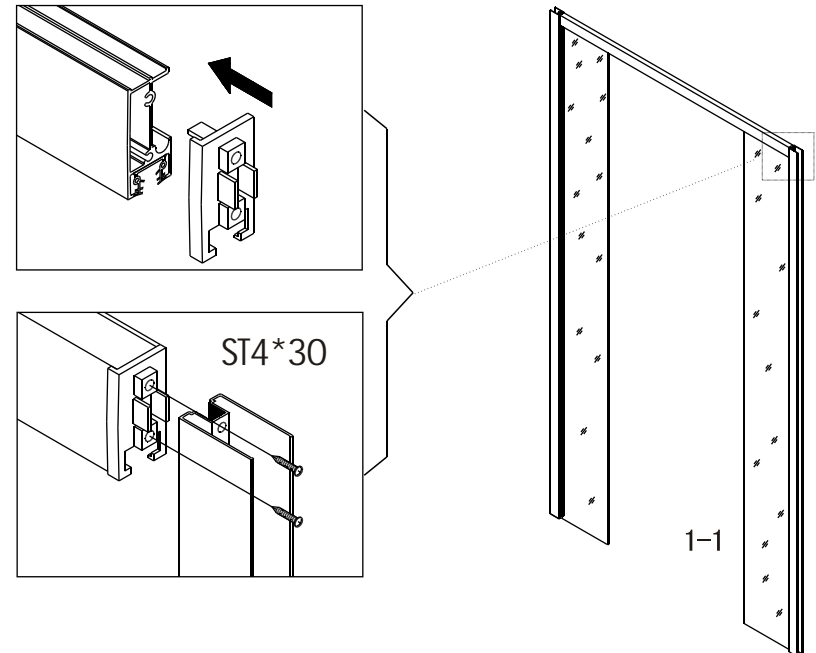
Hexagonal spaner

Tapeline

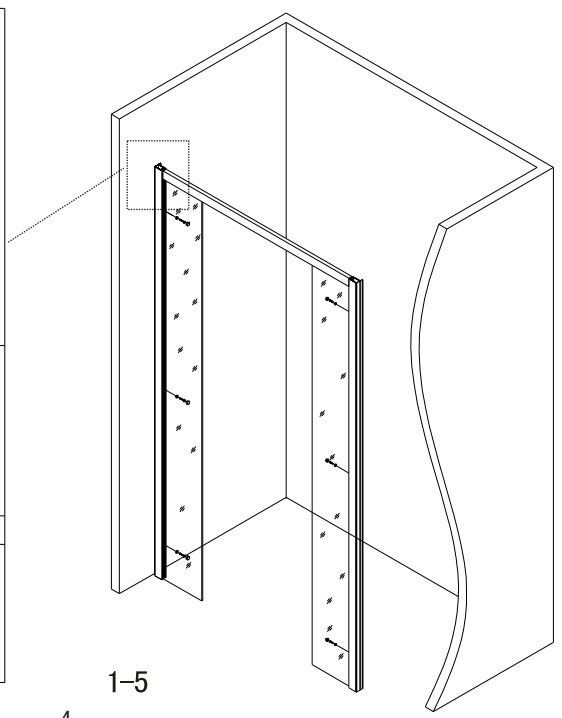
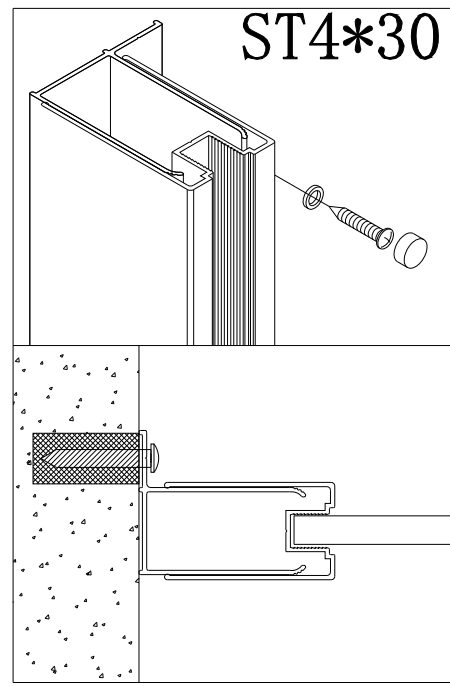
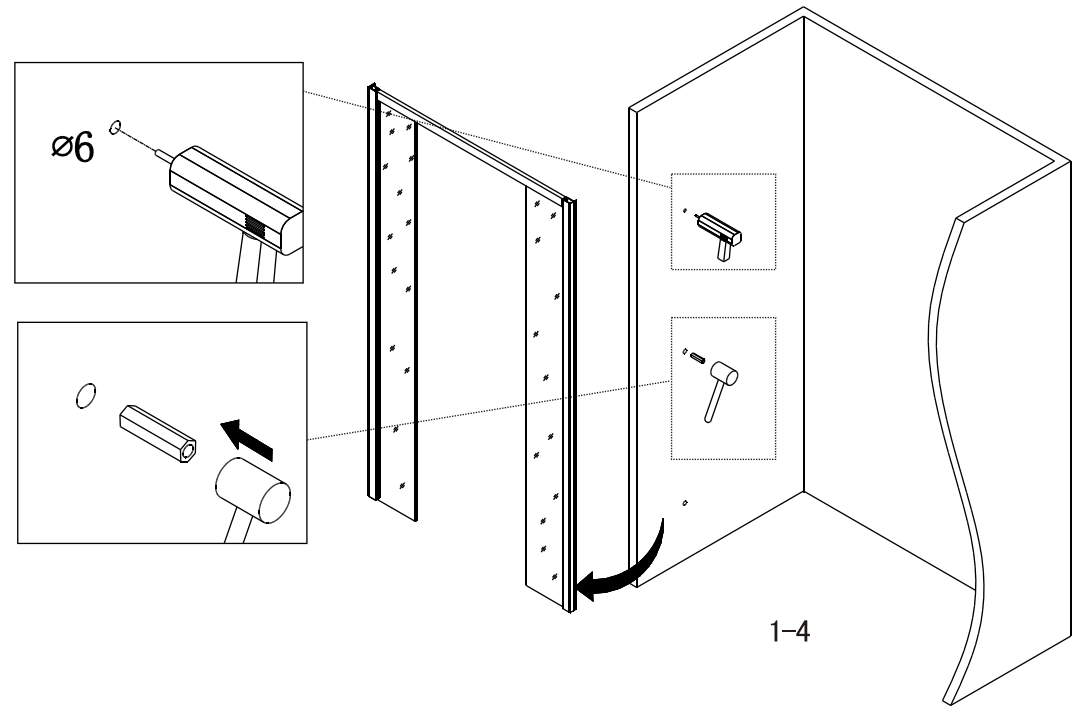
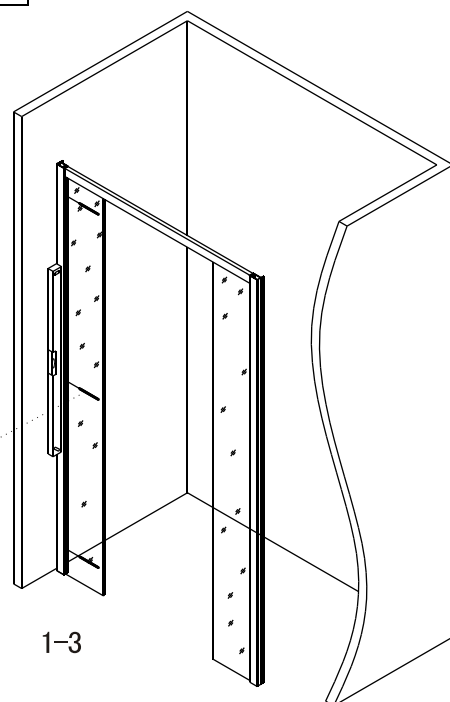
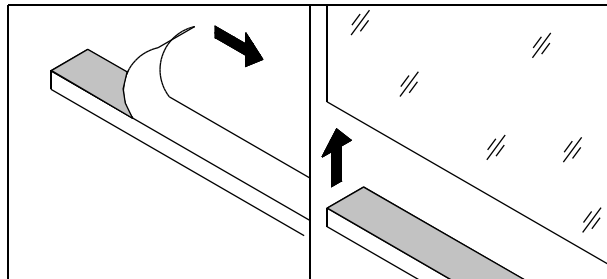
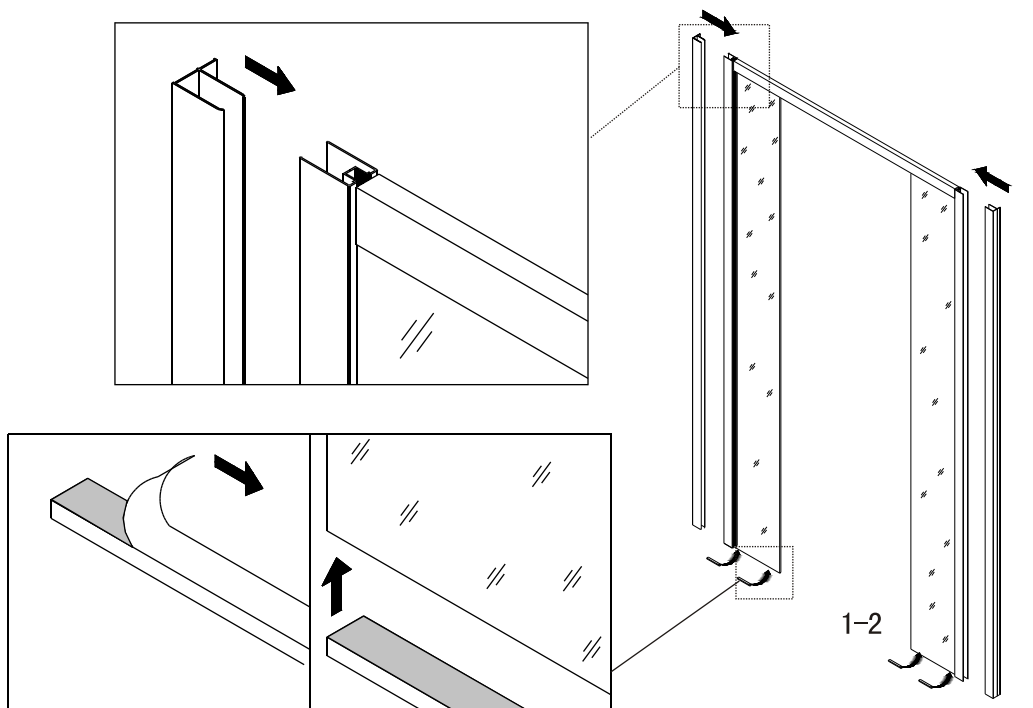
## III. Hardware list:

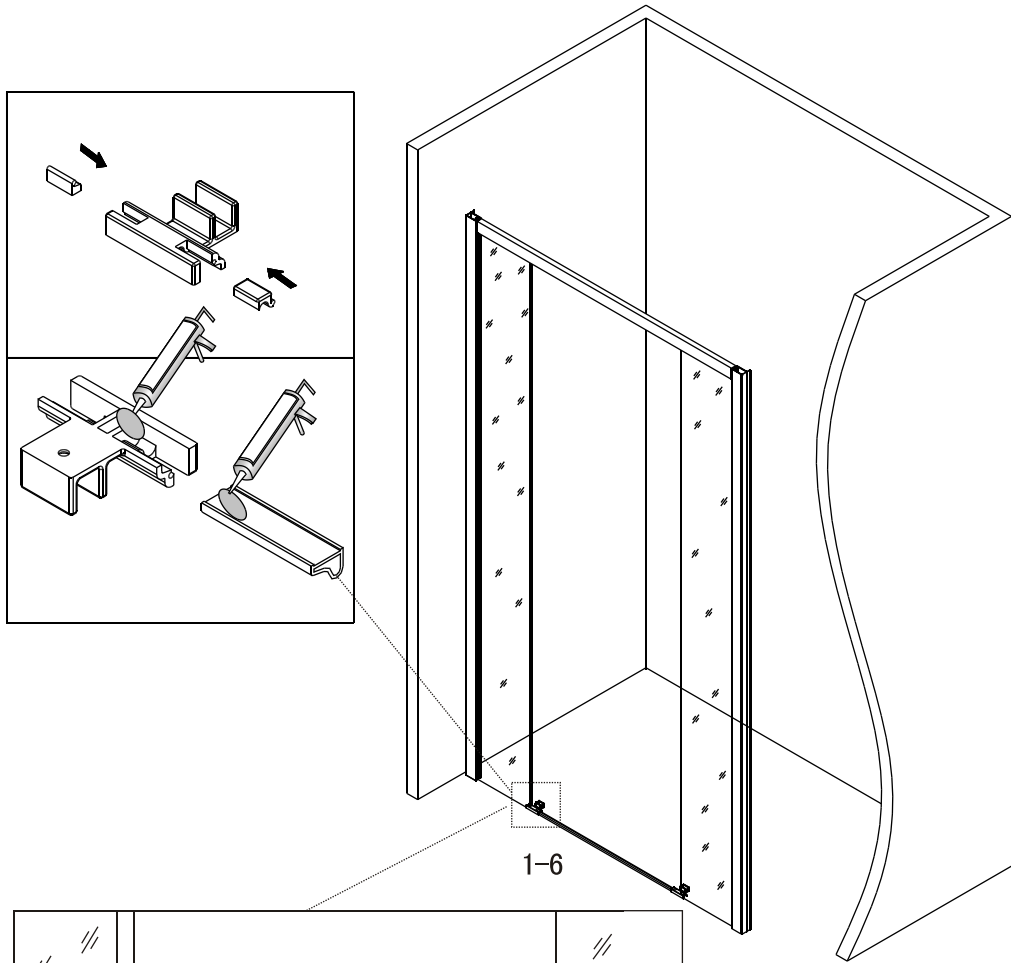
Number	Pic	Qty	Number	Pic	Qty	Number	Pic	Qty
1		6	5		1	9		2
2		6	6		2	10		4
3		12	7		2	11		6
4		4	8		2			

## IV. Steps:

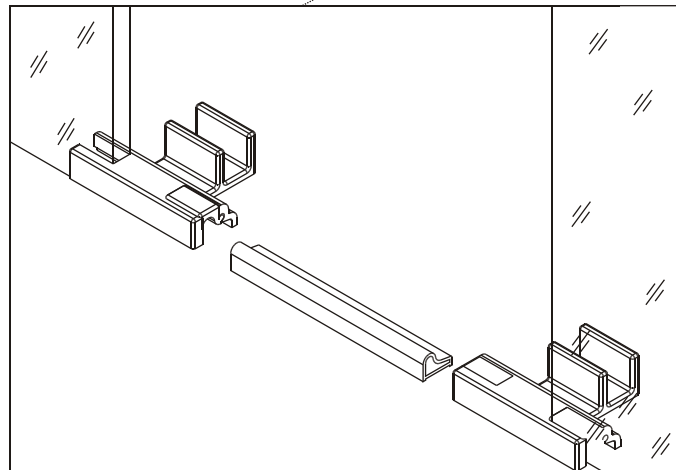


2

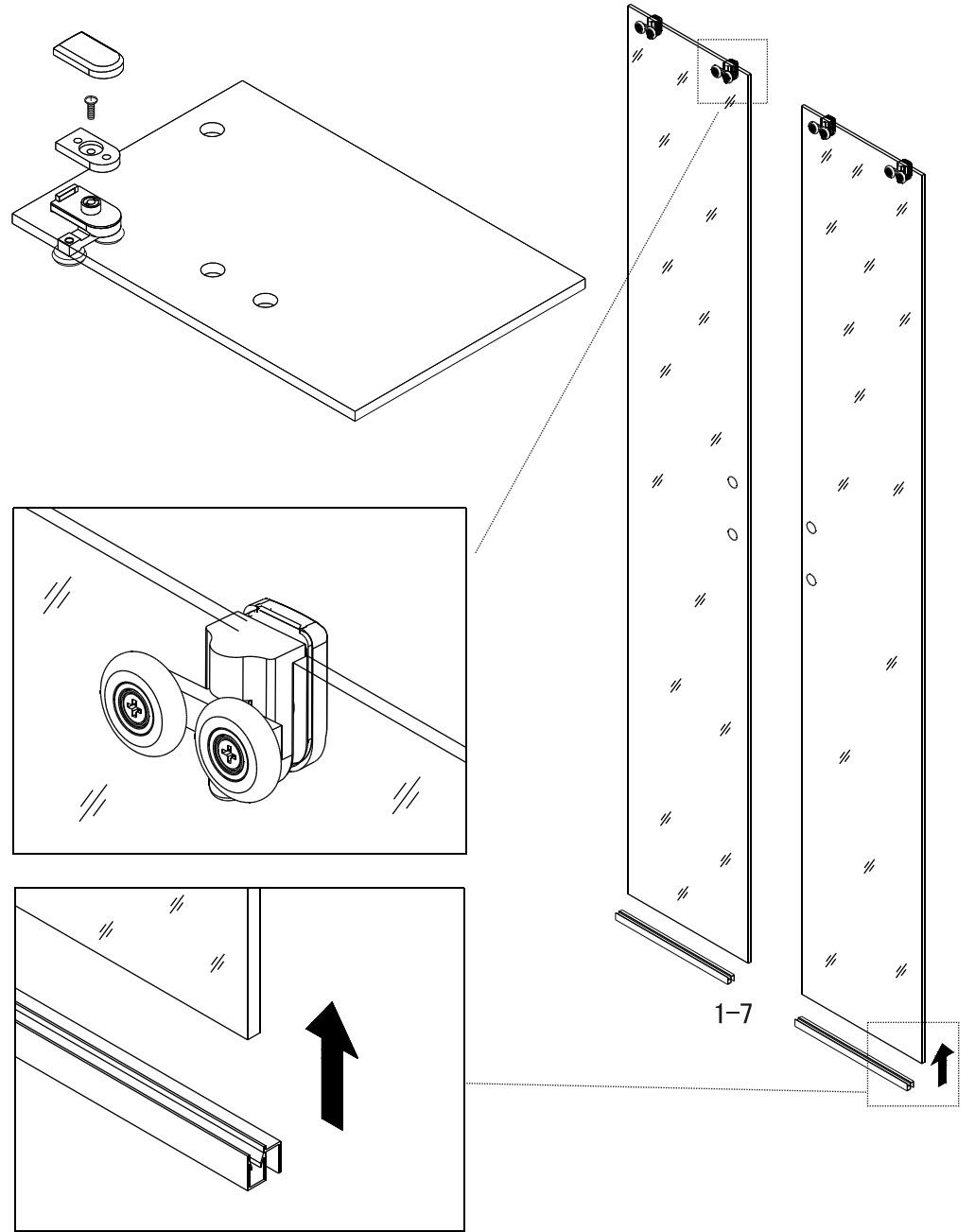




1-6

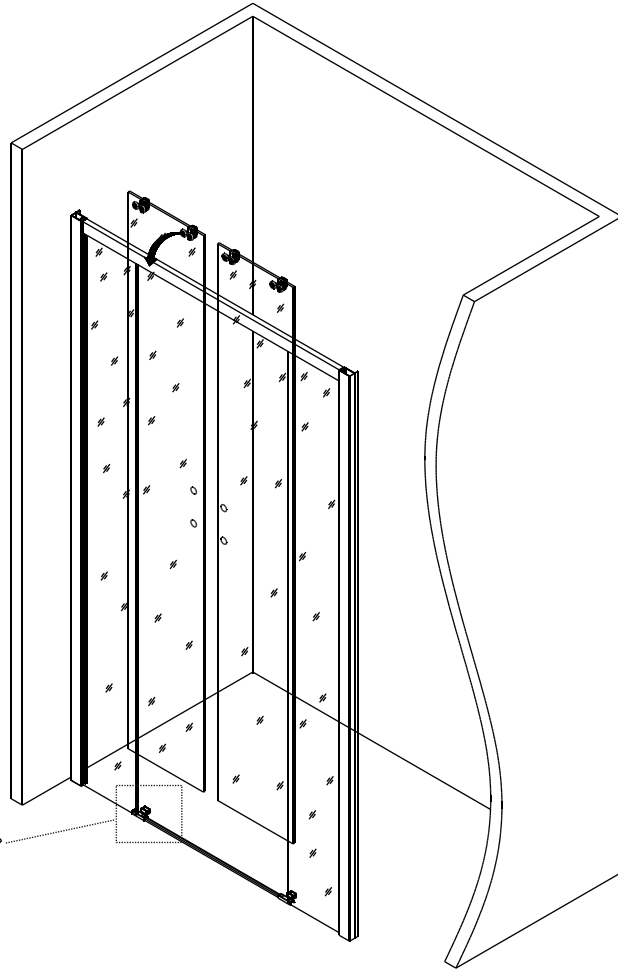
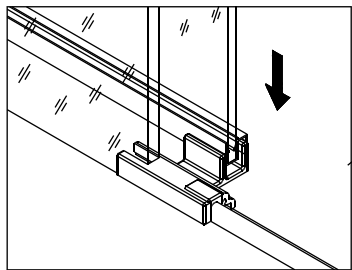
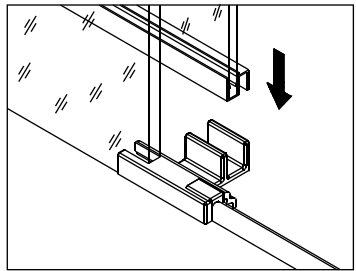
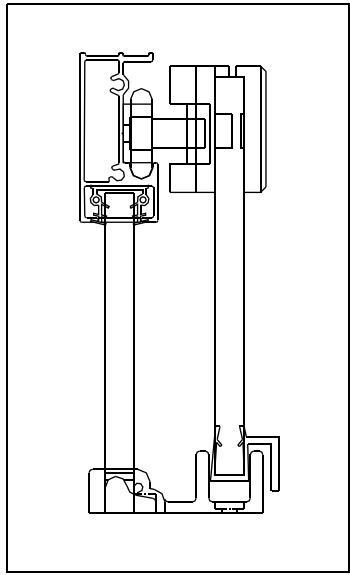


5

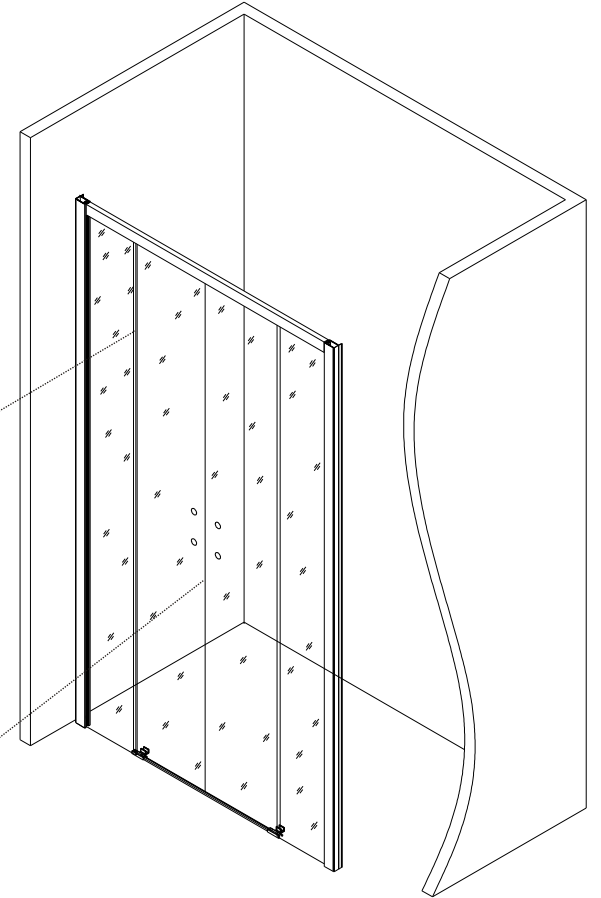
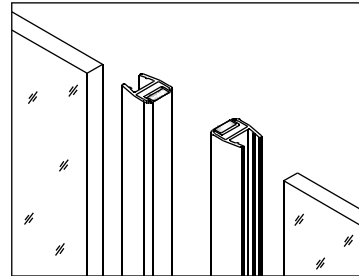
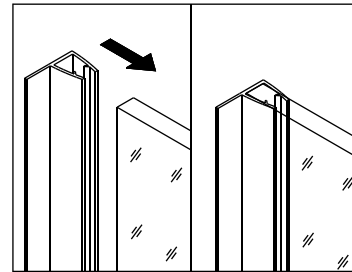
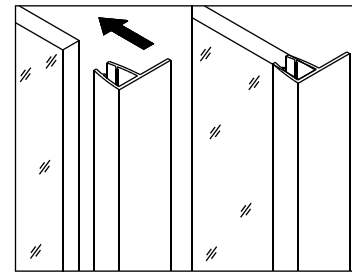


1-7

6



1-8



1-9

